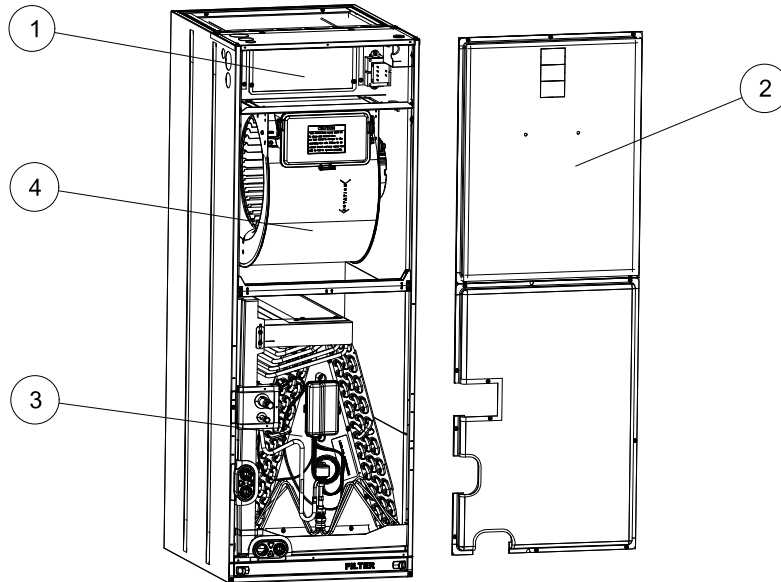


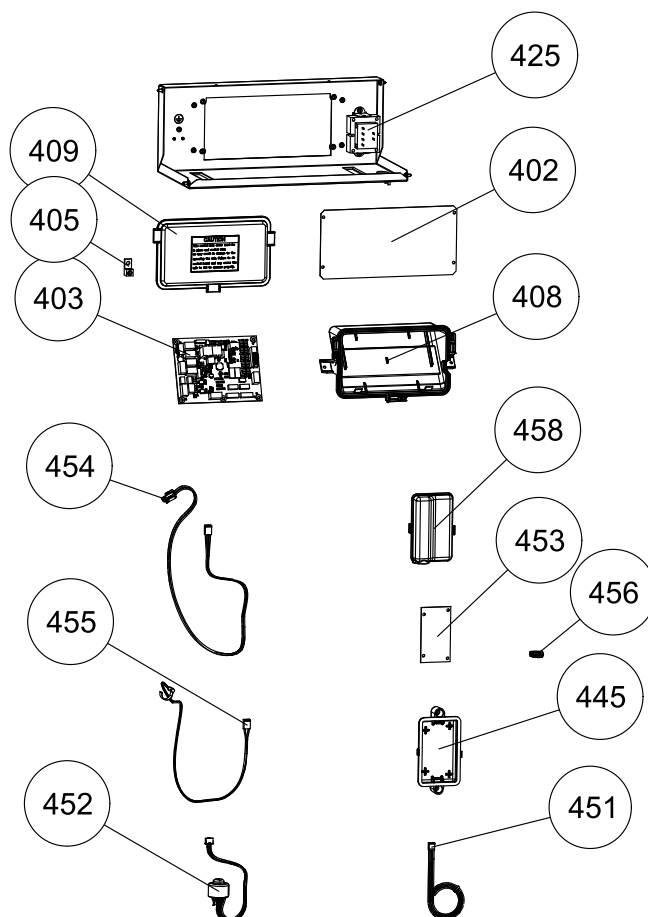
JHVV SERIES AIRHANDLER WITH EEV**REPAIR PARTS LIST**

PRINTED DATE: 4/8/2024

The information provided to you may include Johnson Controls' trade secrets, intellectual property, and confidential business information (including its Bill of Materials), and this information is to be kept in the strictest confidence and not to be disclosed to any third party without the prior written consent of Johnson Controls.



Section	Description
1	ELECTRICAL BOX / CONTROLS
2	SHEET METAL / CABINET PARTS
3	REFRIGERATION SYSTEM
4	INDOOR BLOWER PARTS
8	MISCELLANEOUS
9	WIRING DIAGRAMS / VFD PARAMETERS
10	HARNESSES



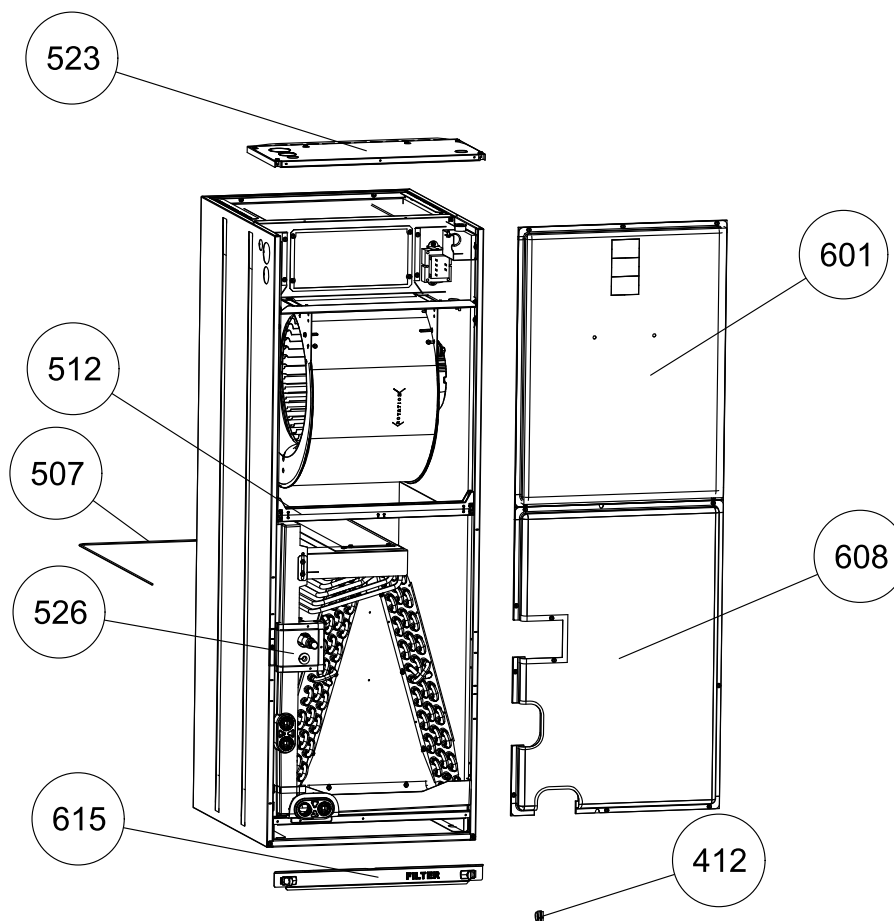
Section : ELECTRICAL BOX / CONTROLS

Section	Callout	Replacement Part #	Description	Original Part #	JHVVB24 DE1C2N1	JHVVB36 DE2C2N1	JHVVC36 DE2C2N1	JHVVC48 HE3C2N1	JHVVC60 HE4C2N1
1	402	S1-07339412001	COVER,HEAT	S1-07339412001	1	1	1	1	1
1	403	S1-33103885000	BOARD,CIRCUIT,JHVT/JHVV/JMVT	S1-33103885000	1	1	1	1	1
1	405	S1-02521798000	LUG,GROUND,ELECTRICAL ALUMINUM 1.06 X .5	S1-02521798000	1	1	1	1	1
1	408	S1-02818905000	BOX,CONTROL,PLASTIC,W/CLIPS	S1-02818905000	1	1	1	1	1
1	409	S1-02818906000	COVER,CONTROL BOX,PLASTIC	S1-02818906000	1	1	1	1	1
1	425	S1-02518452700	TRNSF,208/240V,24V/40VA,50/60 HZ	S1-02518452700	1	1	1	1	1
1	445	S1-02817391000	BOX,BOTTOM,CIRCUIT BOARD,EEV,W/GASKET	S1-02817391000	1	1	1	1	1
1	451	S1-02550864000	HARNESS,COMM,EEV CONTROL	S1-02550864000	1	1	1	1	1
1	452	S1-02547939000	COIL,EEV,AC	S1-02547939000	1	1	1	1	1
1	453	S1-03103747000	CIRCUIT BOARD,EEV	S1-03103747000	1	1	1	1	1
1	454	S1-02549264000	HARNESS,PRESSURE TRANSDUCER,LOW,ID	S1-02549264000	1	1	1	1	1
1	455	S1-02549152000	SENSOR,TEMP,3/4 INCH CLIP,ID	S1-02549152000	1	1	1	1	1
1	456	S1-02817392000	GROMMET,EEV BOX	S1-02817392000	1	1	1	1	1
1	458	S1-02817390000	BOX,TOP,CIRCUIT BOARD,EEV	S1-02817390000	1	1	1	1	1

1	459	S1-02817391000	BOX,BOTTOM,CIRCUIT BOARD,EEV,W/GASKET	S1-02817391000	1	1	1	1	1
---	-----	----------------	---------------------------------------	----------------	---	---	---	---	---

Section	Callout	Replacement Part #	Description	Original Part #	JHVVD48 HE3C2N1	JHVVD60 HE4C2N1			
1	402	S1-07339412001	COVER,HEAT	S1-07339412001	1	1			
1	403	S1-33103885000	BOARD,CIRCUIT,JHVT/JHVV/JMVT	S1-33103885000	1	1			
1	405	S1-02521798000	LUG,GROUND,ELECTRICAL ALUMINUM 1.06 X .5	S1-02521798000	1	1			
1	408	S1-02818905000	BOX,CONTROL,PLASTIC,W/CLIPS	S1-02818905000	1	1			
1	409	S1-02818906000	COVER,CONTROL BOX,PLASTIC	S1-02818906000	1	1			
1	425	S1-02518452700	TRNSF,208/240V,24V/40VA,50/60 HZ	S1-02518452700	1	1			
1	445	S1-02817391000	BOX,BOTTOM,CIRCUIT BOARD,EEV,W/GASKET	S1-02817391000	1	1			
1	451	S1-02550864000	HARNESS,COMM,EEV CONTROL	S1-02550864000	1	1			
1	452	S1-02547939000	COIL,EEV,AC	S1-02547939000	1	1			
1	453	S1-03103747000	CIRCUIT BOARD,EEV	S1-03103747000	1	1			
1	454	S1-02549264000	HARNESS,PRESSURE TRANSDUCER,LOW,ID	S1-02549264000	1	1			
1	455	S1-02549152000	SENSOR,TEMP,3/4 INCH CLIP,ID	S1-02549152000	1	1			
1	456	S1-02817392000	GROMMET,EEV BOX	S1-02817392000	1	1			
1	458	S1-02817390000	BOX,TOP,CIRCUIT BOARD,EEV	S1-02817390000	1	1			
1	459	S1-02817391000	BOX,BOTTOM,CIRCUIT BOARD,EEV,W/GASKET	S1-02817391000	1	1			

Suggested stocking items are shown with shaded item number.



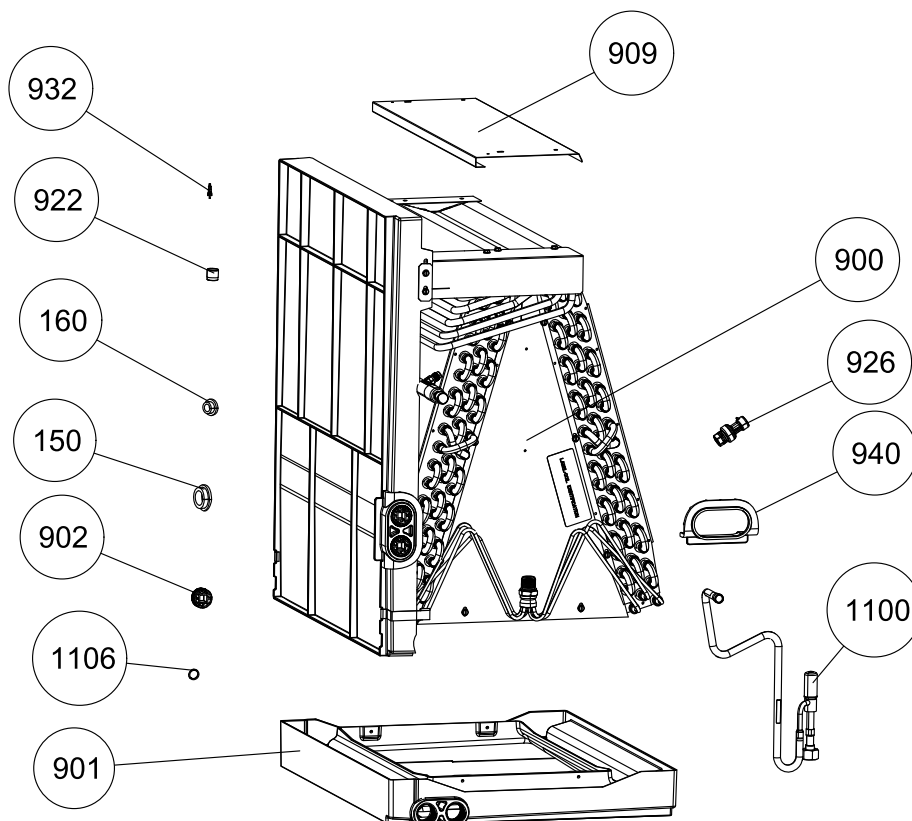
Section : SHEET METAL / CABINET PARTS

Section	Callout	Replacement Part #	Description	Original Part #	JHVVB24 DE1C2N1	JHVVB36 DE2C2N1	JHVVC36 DE2C2N1	JHVVC48 HE3C2N1	JHVVC60 HE4C2N1
2	412	S1-02818910000	GROMMET,MOLDED,CLIMATE TALK HARNESS	S1-02818910000	1	1	1	1	1
2	507	S1-02925441000	INSULATION RETAINER,B-CABINET	S1-02925441000	1	1			
2	507	S1-02925442000	INSULATION RETAINER,C-CABINET	S1-02925442000			1	1	1
2	512	S1-02818907000	BRACE,CABINET,CENTER,17.5	S1-02818907000	1	1			
2	512	S1-02818908000	BRACE,CABINET,CENTER,21.5	S1-02818908000			1	1	1
2	523	S1-37348867001	PNL,ASSEM,TOP,W/INSUL,17.5,CHAMP	S1-37348867001	1	1			
2	523	S1-37348868001	PNL,ASSEM,TOP,W/INSUL,21.0,CHAMP	S1-37348868001			1	1	1
2	526	S1-37348909001	PNL,ASSEM,TUBING ACCESS W/INSUL,CHAMP	S1-37348909001	1		1		
2	601	S1-37348888001	PNL,ASSEM,UPPER ACCESS,17.5,CHAMP	S1-37348888001	1	1			
2	601	S1-37348890001	PNL,ASSEM,UPPER ACCESS,21.0,CHAMP	S1-37348890001			1	1	1
2	608	S1-37348872001	PNL,ASSEM,LOWER ACCESS,25.0 X 17.5,CHAMP	S1-37348872001	1	1			
2	608	S1-37348874001	PNL,ASSEM,LOWER ACCESS,26.4 X 21.0,CHAMP	S1-37348874001			1		
2	608	S1-37348883001	PNL,ASSEM,LOWER ACCESS,38.4 X 21.0,CHAMP	S1-37348883001				1	1
2	615	S1-37348861001	PNL,ASSEM,FILTER ACCESS,17.5,CHAMP	S1-37348861001	1	1			

2	615	S1-37348863001	PNL,ASSEM,FILTER ACCESS,21.0,CHAMP	S1-37348863001			1	1	1
2	618	S1-02818911000	KNOB,PANEL,ACCESS,FILTER	S1-02818911000	2	2	2	2	2

Section	Callout	Replacement Part #	Description	Original Part #	JHVVD48 HE3C2N1	JHVVD60 HE4C2N1			
2	412	S1-02818910000	GROMMET,MOLDED,CLIMATE TALK HARNESS	S1-02818910000	1	1			
2	507	S1-02925443000	INSULATION RETAINER,D-CABINET	S1-02925443000	1	1			
2	512	S1-02818909000	BRACE,CABINET,CENTER,24.5	S1-02818909000	1	1			
2	523	S1-37348869001	PNL,ASSEM,TOP,W/INSUL,24.5,CHAMP	S1-37348869001	1	1			
2	526	S1-37348909001	PNL,ASSEM,TUBING ACCESS W/INSUL,CHAMP	S1-37348909001	1	1			
2	601	S1-37348892001	PNL,ASSEM,UPPER ACCESS,24.5,CHAMP	S1-37348892001	1	1			
2	608	S1-37348885001	PNL,ASSEM,LOWER ACCESS,38.4 X 24.5,CHAMP	S1-37348885001	1	1			
2	615	S1-37348865001	PNL,ASSEM,FILTER ACCESS,24.5,CHAMP	S1-37348865001	1	1			
2	618	S1-02818911000	KNOB,PANEL,ACCESS,FILTER	S1-02818911000	2	2			

Suggested stocking items are shown with shaded item number.



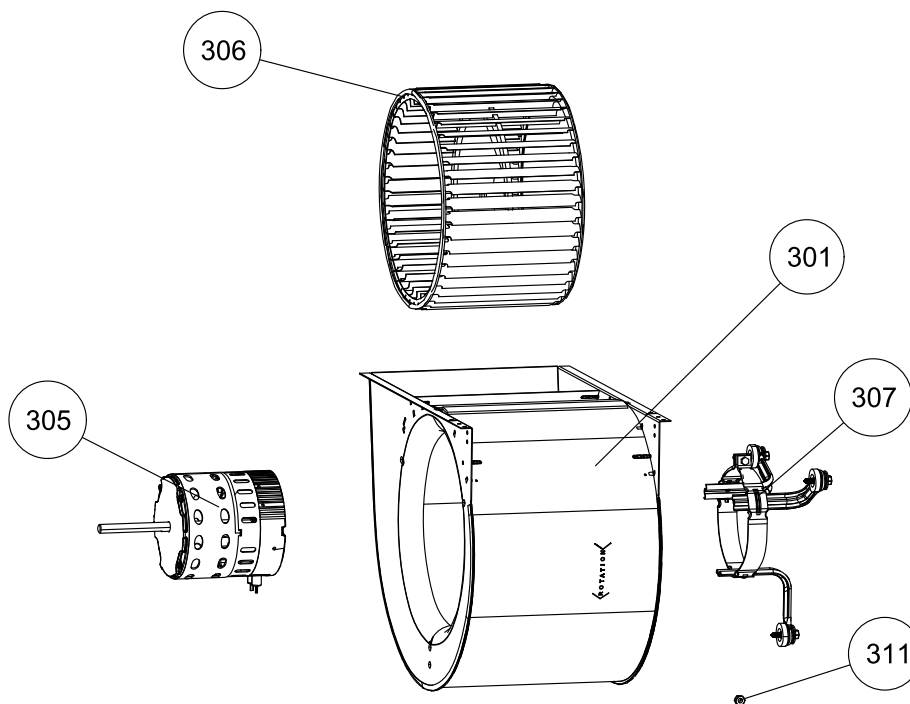
Section : REFRIGERATION SYSTEM

Section	Callout	Replacement Part #	Description	Original Part #	JHVVB24 DE1C2N1	JHVVB36 DE2C2N1	JHVVC36 DE2C2N1	JHVVC48 HE3C2N1	JHVVC60 HE4C2N1
3	150	S1-02813204000	GROMMET 3/4 INCH	S1-02813204000	1	1	1		
3	150	S1-02813205000	GROMMET 7/8 INCH	S1-02813205000				1	1
3	160	S1-02813209000	GROMMET 3/8 INCH	S1-02813209000	1		1		
3	900	S1-37349028001	COIL,W/DRAIN PAN,3R/20/17.5,AL,HZ,EEV 1	S1-37349028001	1				
3	900	S1-37349028002	COIL,W/DRAIN PAN,3R/20/17.5,AL,HZ,EEV 2	S1-37349028002		1			
3	900	S1-37349028003	COIL,W/DRAIN PAN,3R/20/21.0,AL,HZ,EEV 2	S1-37349028003			1		
3	900	S1-37349028004	COIL,W/DRAIN PAN,3R/32/21.0,AL,HZ,EEV 3	S1-37349028004				1	
3	900	S1-37349028005	COIL,W/DRAIN PAN,3R/32/21.0,AL,HZ,EEV 4	S1-37349028005					1
3	901	S1-02818863000	PAN,DRAIN,3R,17.5 IN,A-COIL	S1-02818863000	1	1			
3	901	S1-02818864000	PAN,DRAIN,3R,21.0 IN,A-COIL	S1-02818864000			1	1	1
3	902	S1-02812480001	PLUG,DRAIN PAN	S1-02812480001	3	3	3	3	3
3	907	S1-02818872000	PAN,DRAIN,HORIZONTAL,23.80 IN,A-COIL	S1-02818872000	1	1	1		
3	907	S1-02818876000	PAN,DRAIN,HORIZONTAL,37.26 IN,A-COIL	S1-02818876000				1	1
3	909	S1-07348813001	SHIELD.BLOWOFF,3 ROW	S1-07348813001	1	1	1	1	1

3	922	S1-02310745000	CAP,SEAL,KNURLED 7/1	S1-02310745000	1	1	1	1	1
3	926	S1-02547941000	TRANSDUCER,PRESSURE,SUC TION,ID	S1-02547941000	1	1	1	1	1
3	932	S1-02202475700	CORE,VLV,V PORT (M10)	S1-02202475700	1	1	1	1	1
3	940	S1-02818913000	GASKET,DRAIN PAN	S1-02818913000	2	2	2	2	2
3	1100	S1-37349029001	EEV,SERVICE PART ASSEMBLY,17.5,E1	S1-37349029001	1				
3	1100	S1-37349029002	EEV,SERVICE PART ASSEMBLY,17.5,E2	S1-37349029002		1			
3	1100	S1-37349029003	EEV,SERVICE PART ASSEMBLY,21.0,E2	S1-37349029003			1		
3	1100	S1-37349029004	EEV,SERVICE PART ASSEMBLY,21.0,E3	S1-37349029004				1	
3	1100	S1-37349029005	EEV,SERVICE PART ASSEMBLY,21.0,E4	S1-37349029005					1
3	1106	S1-02131419000	WASHER,TXV	S1-02131419000	1	1	1	1	1

Section	Callout	Replacement Part #	Description	Original Part #	JHVVD48 HE3C2N1	JHVVD60 HE4C2N1			
3	150	S1-02813205000	GROMMET 7/8 INCH	S1-02813205000	1	1			
3	160	S1-02813209000	GROMMET 3/8 INCH	S1-02813209000	1	1			
3	900	S1-37349028006	COIL,W/DRAIN PAN,3R/32/24.5,AL,HZ,EEV 3	S1-37349028006	1				
3	900	S1-37349028007	COIL,W/DRAIN PAN,3R/32/24.5,AL,HZ,EEV 4	S1-37349028007		1			
3	901	S1-02818865000	PAN,DRAIN,3R,24.5 IN,A-COIL	S1-02818865000	1	1			
3	902	S1-02812480001	PLUG,DRAIN PAN	S1-02812480001	3	3			
3	907	S1-02818876000	PAN,DRAIN,HORIZONTAL,37.26 IN,A-COIL	S1-02818876000	1	1			
3	909	S1-07348813001	SHIELD.BLOWOFF,3 ROW	S1-07348813001	1	1			
3	922	S1-02310745000	CAP,SEAL,KNURLED 7/1	S1-02310745000	1	1			
3	926	S1-02547941000	TRANSDUCER,PRESSURE,SUC TION,ID	S1-02547941000	1	1			
3	932	S1-02202475700	CORE,VLV,V PORT (M10)	S1-02202475700	1	1			
3	940	S1-02818913000	GASKET,DRAIN PAN	S1-02818913000	2	2			
3	1100	S1-37349029006	EEV,SERVICE PART ASSEMBLY,24.5,E3	S1-37349029006	1				
3	1100	S1-37349029007	EEV,SERVICE PART ASSEMBLY,24.5,E4	S1-37349029007		1			
3	1106	S1-02131419000	WASHER,TXV	S1-02131419000	1	1			

Suggested stocking items are shown with shaded item number.



Section : INDOOR BLOWER PARTS

Section	Callout	Replacement Part #	Description	Original Part #	JHVVB24 DE1C2N1	JHVVB36 DE2C2N1	JHVVC36 DE2C2N1	JHVVC48 HE3C2N1	JHVVC60 HE4C2N1
4	301	S1-37348827001	HOUSING,BLOWER,11-8,AHU/MOD	S1-37348827001	1	1			
4	301	S1-37348828001	HOUSING,BLOWER,11-10,AHU/MOD	S1-37348828001			1	1	1
4	305	S1-02442188000	MTR,BLW,CLIMATETALK,1/3,230V,ECM,B OCEAN	S1-02442188000	1				
4	305	S1-02442189000	MTR,BLW,CLIMATETALK,1/2,230V,ECM,B OCEAN	S1-02442189000		1	1		
4	305	S1-02442191000	MTR,BLW,CLIMATETALK,1,230V,ECM,B OCEAN	S1-02442191000				1	1
4	306	S1-02619654012	WHL,BLW,11 X 10,CW,1/2 BORE	S1-02634501000			1	1	1
4	306	S1-02650615000	WHL,BLW,11-8	S1-02650615000	1	1			
4	307	S1-32650612001	MOUNT,ASSEMBLY,BLWR MOTOR	S1-32650612001	1	1	1	1	1
4	311	S1-02108968000	NUT,HEX,SELF LOCKING,1/4-20	S1-02108968000	1	1	1	1	1

Section	Callout	Replacement Part #	Description	Original Part #	JHVVD48 HE3C2N1	JHVVD60 HE4C2N1			
4	301	S1-37348829001	HOUSING,BLOWER,11-11,AHU/MOD	S1-37348829001	1	1			
4	305	S1-02442190000	MTR,BLW,CLIMATETALK,3/4,230V,ECM,B OCEAN	S1-02442190000	1	1			
4	306	S1-02638510000	WHL,BLW 11X11,CW,1/2" BORE	S1-02638510000	1	1			

4	307	S1-32650612001	MOUNT,ASSEMBLY,BLWR MOTOR	S1- 32650612 001	1	1			
4	311	S1-02108968000	NUT,HEX,SELF LOCKING,1/4-20	S1- 02108968 000	1	1			

Suggested stocking items are shown with shaded item number.

Section : MISCELLANEOUS

Section	Callout	Replacement Part #	Description	Original Part #	JHVVB24 DE1C2N1	JHVVB36 DE2C2N1	JHVVC36 DE2C2N1	JHVVC48 HE3C2N1	JHVVC60 HE4C2N1
8	NS	S1-02310745000	CAP,SEAL,KNURLED 7/1	S1-02310745000	1	1			
8	NS	S1-02818924000	GROMMET,0.406 INCH ID X 0.750 INCH	S1-02818924000		1		1	1

Section	Callout	Replacement Part #	Description	Original Part #	JHVVD48 HE3C2N1	JHVVD60 HE4C2N1			
8	617	S1-02817061001	GASKET,FOAM,5/8 X 1/8 INCH,100 FOOT ROLL	S1-02817061001	2	2			

Suggested stocking items are shown with shaded item number.

Section : WIRING DIAGRAMS / VFD PARAMETERS

Section	Callout	Replacement Part #	Description	Original Part #	JHVVB24 DE1C2N1	JHVVB36 DE2C2N1	JHVVC36 DE2C2N1	JHVVC48 HE3C2N1	JHVVC60 HE4C2N1
9	NS	6284252	WIRING DIAGRAM - 5.5 X 8.5 JHVV	6284252	1	1	1	1	1

Section	Callout	Replacement Part #	Description	Original Part #	JHVVD48 HE3C2N1	JHVVD60 HE4C2N1			
9	NS	6284252	WIRING DIAGRAM - 5.5 X 8.5 JHVV	6284252	1	1			

Suggested stocking items are shown with shaded item number.

Section : HARNESES

Section	Callout	Replacement Part #	Description	Original Part #	JHVVB24 DE1C2N1	JHVVB36 DE2C2N1	JHVVC36 DE2C2N1	JHVVC48 HE3C2N1	JHVVC60 HE4C2N1
---------	---------	--------------------	-------------	-----------------	--------------------	--------------------	--------------------	--------------------	--------------------

Section	Callout	Replacement Part #	Description	Original Part #	JHVVD48 HE3C2N1	JHVVD60 HE4C2N1			
10	406	S1-02553925000	HARNESS,CLIMATE TALK COMM	S1- 02552098 000	1	1			

Suggested stocking items are shown with shaded item number.

Model series repair parts lists are generated for each model number from the last production bill of material.

Major components and suggested stocking items are shown with shaded item number.

Repair parts lists are subject to change without notice.

TO ORDER AUTHORIZED FACTORY REPLACEMENT PARTS - Contact your Source1 HVAC Parts Distributor or visit our website at www.Source1Parts.com for a Distributor and Dealer listing.

Copyright © 2024 by Johnson Controls Inc. All rights reserved.

Johnson Controls Unitary Products