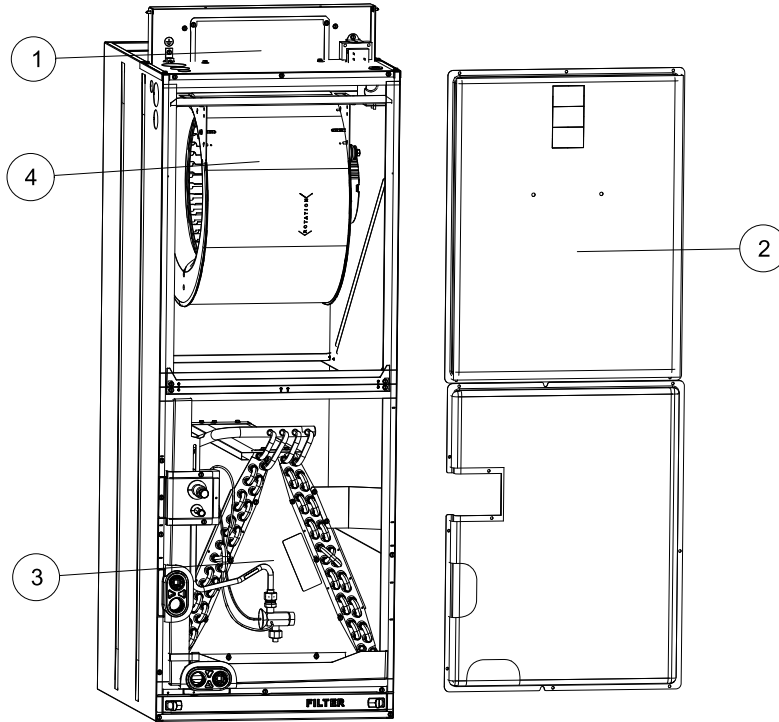


## JHET SERIES SINGLE PIECE AIR HANDLERS WITH ECM MOTORS, TXV COIL MODELS

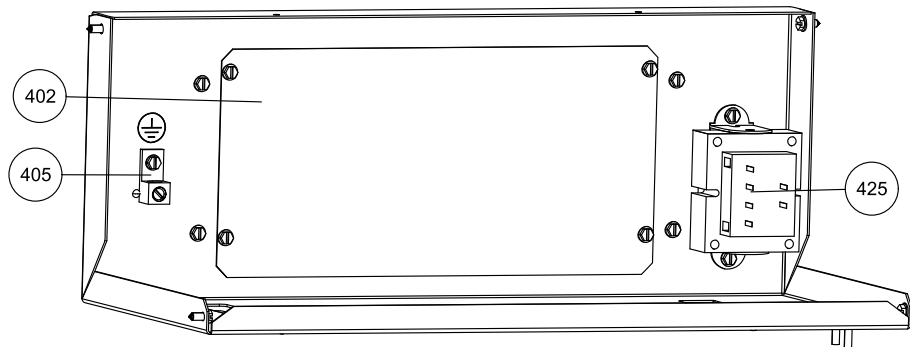
### REPAIR PARTS LIST

PRINTED DATE: 4/8/2024

The information provided to you may include Johnson Controls' trade secrets, intellectual property, and confidential business information (including its Bill of Materials), and this information is to be kept in the strictest confidence and not to be disclosed to any third party without the prior written consent of Johnson Controls.



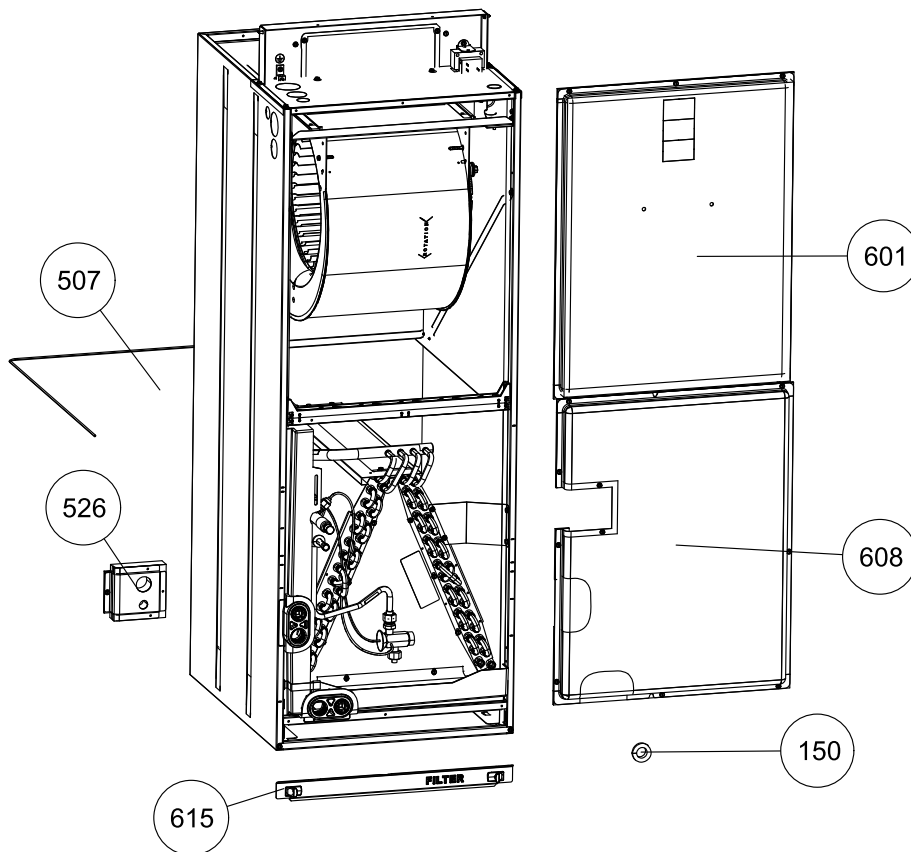
| Section | Description                      |
|---------|----------------------------------|
| 1       | ELECTRICAL BOX / CONTROLS        |
| 2       | SHEET METAL / CABINET PARTS      |
| 3       | REFRIGERATION SYSTEM             |
| 4       | INDOOR BLOWER PARTS              |
| 8       | MISCELLANEOUS                    |
| 9       | WIRING DIAGRAMS / VFD PARAMETERS |
| 10      | HARNESSES                        |


**Section : ELECTRICAL BOX / CONTROLS**

| Section | Callout | Replacement Part # | Description                                 | Original Part # | JHETB18<br>BBAS2N<br>1 | JHETB18<br>BBAS2N<br>1 | JHETB24<br>CBAS2N<br>1 | JHETB24<br>CBAS2N<br>1 | JHETB30<br>DBAS2N<br>1 |
|---------|---------|--------------------|---|-----------------|------------------------|------------------------|------------------------|------------------------|------------------------|
| 1       | 402     | S1-07339412001     | COVER,HEAT                                  | S1-07339412001  | 1                      | 1                      | 1                      | 1                      | 1                      |
| 1       | 405     | S1-02521798000     | LUG,GROUND,ELECTRICAL<br>ALUMINUM 1.06 X .5 | S1-02521798000  | 1                      | 1                      | 1                      | 1                      | 1                      |
| 1       | 425     | S1-02518452700     | TRNSF,208/240V,24V/40VA,50/60<br>HZ         | S1-02518452700  | 1                      | 1                      | 1                      | 1                      | 1                      |

| Section | Callout | Replacement Part # | Description                                 | Original Part # | JHETB30<br>DBAS2N<br>1 | JHETB36<br>DBAS2N<br>1 | JHETB36<br>DBAS2N<br>1 | JHETC36<br>DBAS2N<br>1 | JHETC42<br>FBAS2N1 |
|---------|---------|--------------------|---|-----------------|------------------------|------------------------|------------------------|------------------------|--------------------|
| 1       | 402     | S1-07339412001     | COVER,HEAT                                  | S1-07339412001  | 1                      | 1                      | 1                      | 1                      | 1                  |
| 1       | 405     | S1-02521798000     | LUG,GROUND,ELECTRICAL<br>ALUMINUM 1.06 X .5 | S1-02521798000  | 1                      | 1                      | 1                      | 1                      | 1                  |
| 1       | 425     | S1-02518452700     | TRNSF,208/240V,24V/40VA,50/60<br>HZ         | S1-02518452700  | 1                      | 1                      | 1                      | 1                      | 1                  |

Suggested stocking items are shown with shaded item number.



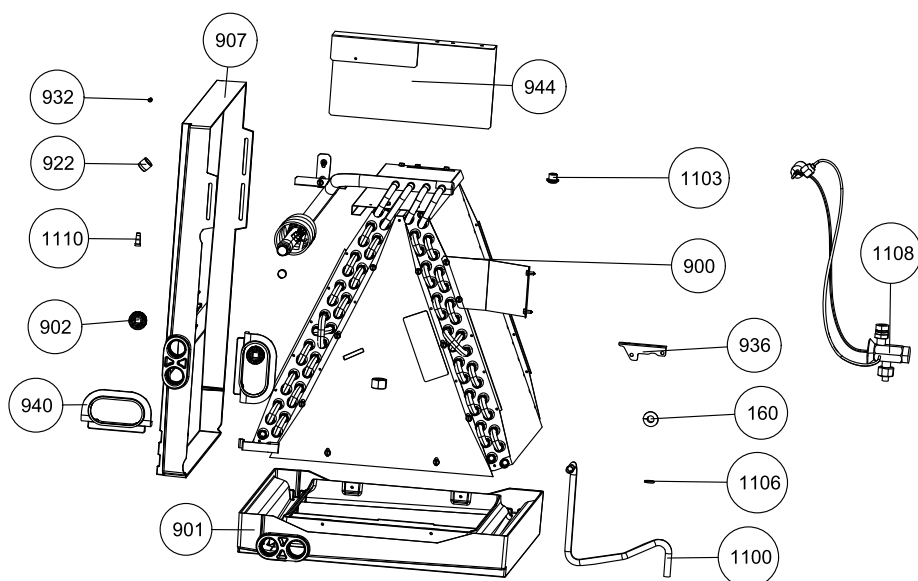
Section : SHEET METAL / CABINET PARTS

| Section | Callout | Replacement Part # | Description                              | Original Part # | JHETB18<br>BBAS2N<br>1 | JHETB18<br>BBAS2N<br>1 | JHETB24<br>CBAS2N<br>1 | JHETB24<br>CBAS2N<br>1 | JHETB30<br>DBAS2N<br>1 |
|---------|---------|--------------------|--|-----------------|------------------------|------------------------|------------------------|------------------------|------------------------|
| 2       | NS      | S1-02818911000     | KNOB,PANEL,ACCESS,FILTER                 | S1-02818911000  | 2                      | 2                      | 2                      | 2                      | 2                      |
| 2       | 150     | S1-02813204000     | GROMMET 3/4 INCH                         | S1-02813204000  | 1                      | 1                      | 1                      | 1                      | 1                      |
| 2       | 507     | S1-02925441000     | INSULATION RETAINER,B-CABINET            | S1-02925441000  | 1                      | 1                      | 1                      | 1                      | 1                      |
| 2       | 512     | S1-02818907000     | BRACE,CABINET,CENTER,17.5                | S1-02818907000  | 1                      | 1                      | 1                      | 1                      | 1                      |
| 2       | 523     | S1-37348867001     | PNL,ASSEM,TOP,W/INSUL,17.5,CHAMP         | S1-37348867001  | 1                      | 1                      | 1                      | 1                      | 1                      |
| 2       | 526     | S1-37348909001     | PNL,ASSEM,TUBING ACCESS W/INSUL,CHAMP    | S1-37348909001  | 1                      | 1                      | 1                      | 1                      | 1                      |
| 2       | 601     | S1-37348888001     | PNL,ASSEM,UPPER ACCESS,17.5,CHAMP        | S1-37348888001  | 1                      | 1                      | 1                      | 1                      | 1                      |
| 2       | 608     | S1-37348870001     | PNL,ASSEM,LOWER ACCESS,22.4 X 17.5,CHAMP | S1-37348870001  | 1                      | 1                      |                        |                        |                        |
| 2       | 608     | S1-37348872001     | PNL,ASSEM,LOWER ACCESS,25.0 X 17.5,CHAMP | S1-37348872001  |                        |                        | 1                      | 1                      | 1                      |
| 2       | 615     | S1-37348861001     | PNL,ASSEM,FILTER ACCESS,17.5,CHAMP       | S1-37348861001  | 1                      | 1                      | 1                      | 1                      | 1                      |
| 2       | 617     | S1-02817061001     | GASKET,FOAM,5/8 X 1/8 INCH,100 FOOT ROLL | S1-02817061001  | 2                      | 2                      | 2                      | 2                      | 2                      |

| Section | Callout | Replacement Part # | Description              | Original Part # | JHETB30<br>DBAS2N<br>1 | JHETB36<br>DBAS2N<br>1 | JHETB36<br>DBAS2N<br>1 | JHETC36<br>DBAS2N<br>1 | JHETC42<br>FBAS2N1 |
|---------|---------|--------------------|--------------------------|-----------------|------------------------|------------------------|------------------------|------------------------|--------------------|
| 2       | NS      | S1-02818911000     | KNOB,PANEL,ACCESS,FILTER | S1-02818911000  | 2                      | 2                      | 2                      | 2                      | 2                  |

|   |     |                |  |                |   |   |   |   |   |
|---|-----|----------------|--|----------------|---|---|---|---|---|
| 2 | 150 | S1-02813204000 | GROMMET 3/4 INCH                         | S1-02813204000 | 1 | 1 | 1 | 1 |   |
| 2 | 150 | S1-02813205000 | GROMMET 7/8 INCH                         | S1-02813205000 |   |   |   |   | 1 |
| 2 | 507 | S1-02925441000 | INSULATION RETAINER,B-CABINET            | S1-02925441000 | 1 | 1 | 1 |   |   |
| 2 | 507 | S1-02925442000 | INSULATION RETAINER,C-CABINET            | S1-02925442000 |   |   |   | 1 | 1 |
| 2 | 512 | S1-02818907000 | BRACE,CABINET,CENTER,17.5                | S1-02818907000 | 1 | 1 | 1 |   |   |
| 2 | 512 | S1-02818908000 | BRACE,CABINET,CENTER,21.5                | S1-02818908000 |   |   |   | 1 | 1 |
| 2 | 523 | S1-37348867001 | PNL,ASSEM,TOP,W/INSUL,17.5,CHAMP         | S1-37348867001 | 1 | 1 | 1 |   |   |
| 2 | 523 | S1-37348868001 | PNL,ASSEM,TOP,W/INSUL,21.0,CHAMP         | S1-37348868001 |   |   |   | 1 | 1 |
| 2 | 526 | S1-37348909001 | PNL,ASSEM,TUBING ACCESS W/INSUL,CHAMP    | S1-37348909001 | 1 | 1 | 1 | 1 | 1 |
| 2 | 601 | S1-37348888001 | PNL,ASSEM,UPPER ACCESS,17.5,CHAMP        | S1-37348888001 | 1 | 1 | 1 |   |   |
| 2 | 601 | S1-37348890001 | PNL,ASSEM,UPPER ACCESS,21.0,CHAMP        | S1-37348890001 |   |   |   | 1 | 1 |
| 2 | 608 | S1-37348872001 | PNL,ASSEM,LOWER ACCESS,25.0 X 17.5,CHAMP | S1-37348872001 | 1 | 1 | 1 |   |   |
| 2 | 608 | S1-37348874001 | PNL,ASSEM,LOWER ACCESS,26.4 X 21.0,CHAMP | S1-37348874001 |   |   |   | 1 |   |
| 2 | 608 | S1-37348877001 | PNL,ASSEM,LOWER ACCESS,32.4 X 21.0,CHAMP | S1-37348877001 |   |   |   |   | 1 |
| 2 | 615 | S1-37348861001 | PNL,ASSEM,FILTER ACCESS,17.5,CHAMP       | S1-37348861001 | 1 | 1 | 1 |   |   |
| 2 | 615 | S1-37348863001 | PNL,ASSEM,FILTER ACCESS,21.0,CHAMP       | S1-37348863001 |   |   |   | 1 | 1 |
| 2 | 617 | S1-02817061001 | GASKET,FOAM,5/8 X 1/8 INCH,100 FOOT ROLL | S1-02817061001 | 2 | 2 | 2 |   |   |

Suggested stocking items are shown with shaded item number.



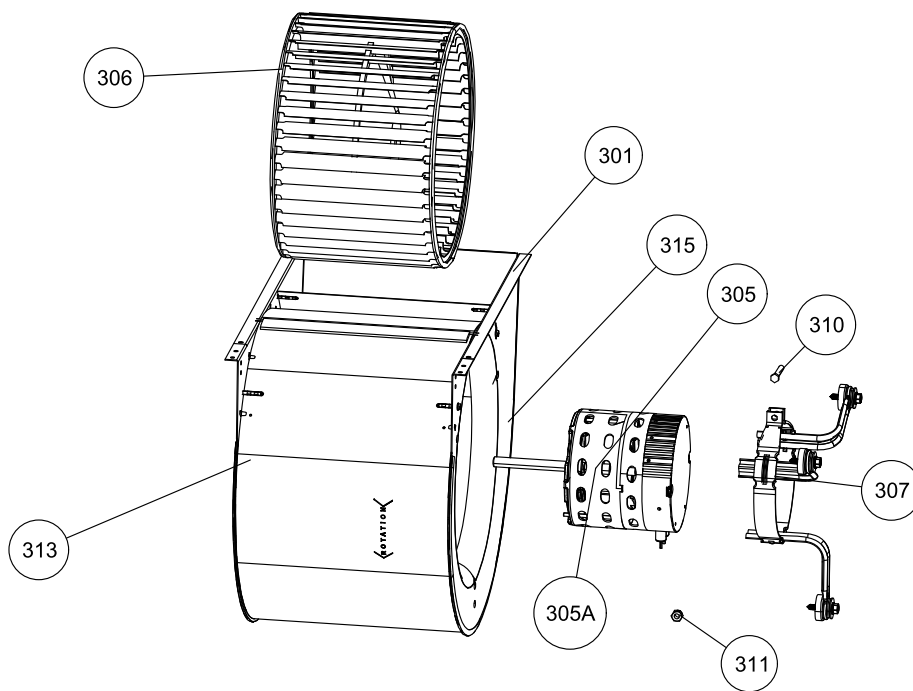
## Section : REFRIGERATION SYSTEM

| Section | Callout | Replacement Part # | Description                              | Original Part # | JHETB18 BBAS2N 1 | JHETB18 BBAS2N 1 | JHETB24 CBAS2N 1 | JHETB24 CBAS2N 1 | JHETB30 DBAS2N 1 |
|---------|---------|--------------------|--|-----------------|------------------|------------------|------------------|------------------|------------------|
| 3       | NS      | S1-02131419000     | WASHER, TXV                              | S1-02131419000  | 2                | 2                | 2                | 2                | 2                |
| 3       | 160     | S1-02813209000     | GROMMET 3/8 INCH                         | S1-02813209000  | 1                | 1                | 1                | 1                | 1                |
| 3       | 900     | S1-37348830001     | COIL W/HORIZ DP, (2R/16/17.5), ALU FLEX  | S1-37348830001  | 1                | 1                |                  |                  |                  |
| 3       | 900     | S1-37348831001     | COIL W/HORIZ DP, (2R/20/17.5), ALU FLEX  | S1-37348831001  |                  |                  | 1                | 1                |                  |
| 3       | 900     | S1-37348832001     | COIL W/HORIZ DP, (3R/20/17.5), ALU FLEX  | S1-37348832001  |                  |                  |                  |                  | 1                |
| 3       | 901     | S1-02818415000     | PAN, DRAIN, 2R, 17.5 IN, A-COIL          | S1-02818415000  | 1                | 1                | 1                | 1                |                  |
| 3       | 901     | S1-02818863000     | PAN, DRAIN, 3R, 17.5 IN, A-COIL          | S1-02818863000  |                  |                  |                  |                  | 1                |
| 3       | 902     | S1-02812480001     | PLUG, DRAIN PAN                          | S1-02812480001  | 3                | 3                | 3                | 3                | 3                |
| 3       | 907     | S1-02818871000     | PAN, DRAIN, HORIZONTAL, 21.05 IN, A-COIL | S1-02818871000  | 1                | 1                |                  |                  |                  |
| 3       | 907     | S1-02818872000     | PAN, DRAIN, HORIZONTAL, 23.80 IN, A-COIL | S1-02818872000  |                  |                  | 1                | 1                | 1                |
| 3       | 909     | S1-07348812001     | SHIELD, BLOWOFF, 2 ROW                   | S1-07348812001  | 1                | 1                | 1                | 1                |                  |
| 3       | 909     | S1-07348813001     | SHIELD, BLOWOFF, 3 ROW                   | S1-07348813001  |                  |                  |                  |                  | 1                |
| 3       | 918     | S1-07348817001     | BRACKET, FRONT COIL MOUNT, 2R, 16H-17.5  | S1-07348817001  | 1                | 1                |                  |                  |                  |

|   |      |                |                                       |                |   |   |   |   |   |
|---|------|----------------|---------------------------------------|----------------|---|---|---|---|---|
| 3 | 922  | S1-02310745000 | CAP,SEAL,KNURLED 7/1                  | S1-02310745000 | 1 | 1 | 1 | 1 | 1 |
| 3 | 932  | S1-02202475700 | CORE,VLV,V PORT (M10)                 | S1-02202475700 | 1 | 1 | 1 | 1 | 1 |
| 3 | 935  | S1-02310745000 | CAP,SEAL,KNURLED 7/1                  | S1-02310745000 | 1 | 1 | 1 | 1 | 1 |
| 3 | 940  | S1-02818913000 | GASKET,DRAIN PAN                      | S1-02818913000 | 2 | 2 | 2 | 2 | 2 |
| 3 | 1106 | S1-02131419000 | WASHER,TXV                            | S1-02131419000 | 1 | 1 | 1 | 1 | 1 |
| 3 | 1108 | S1-1TVMBA1     | KIT,TXV,R-410A,3/4 INCH CHATLEFF CONN | S1-1TVMBA1     | 1 | 1 | 1 | 1 | 1 |

| Section | Callout | Replacement Part # | Description                           | Original Part # | JHETB30 DBAS2N 1 | JHETB36 DBAS2N 1 | JHETB36 DBAS2N 1 | JHETC36 DBAS2N 1 | JHETC42 FBAS2N1 |
|---------|---------|--------------------|---------------------------------------|-----------------|------------------|------------------|------------------|------------------|-----------------|
| 3       | NS      | S1-02131419000     | WASHER,TXV                            | S1-02131419000  | 2                | 2                | 2                | 2                | 2               |
| 3       | 160     | S1-02813209000     | GROMMET 3/8 INCH                      | S1-02813209000  | 1                | 1                | 1                | 1                | 1               |
| 3       | 900     | S1-37348832001     | COIL W/HORIZ DP,(3R/20/17.5),ALU FLEX | S1-37348832001  | 1                | 1                | 1                |                  |                 |
| 3       | 900     | S1-37348833001     | COIL W/HORIZ DP,(3R/20/21.0),ALU FLEX | S1-37348833001  |                  |                  |                  | 1                |                 |
| 3       | 900     | S1-37348834001     | COIL W/HORIZ DP,(3R/24/21.0),ALU FLEX | S1-37348834001  |                  |                  |                  |                  | 1               |
| 3       | 901     | S1-02818863000     | PAN,DRAIN,3R,17.5 IN,A-COIL           | S1-02818863000  | 1                | 1                | 1                |                  |                 |
| 3       | 901     | S1-02818864000     | PAN,DRAIN,3R,21.0 IN,A-COIL           | S1-02818864000  |                  |                  |                  | 1                | 1               |
| 3       | 902     | S1-02812480001     | PLUG,DRAIN PAN                        | S1-02812480001  | 3                | 3                | 3                | 3                | 3               |
| 3       | 907     | S1-02818872000     | PAN,DRAIN,HORIZONTAL,23.80 IN,A-COIL  | S1-02818872000  | 1                | 1                | 1                | 1                |                 |
| 3       | 907     | S1-02818874000     | PAN,DRAIN,HORIZONTAL,30.90 IN,A-COIL  | S1-02818874000  |                  |                  |                  |                  | 1               |
| 3       | 909     | S1-07348813001     | SHIELD.BLOWOFF,3 ROW                  | S1-07348813001  | 1                | 1                | 1                | 1                | 1               |
| 3       | 922     | S1-02310745000     | CAP,SEAL,KNURLED 7/1                  | S1-02310745000  | 1                | 1                | 1                | 1                | 1               |
| 3       | 932     | S1-02202475700     | CORE,VLV,V PORT (M10)                 | S1-02202475700  | 1                | 1                | 1                | 1                | 1               |
| 3       | 935     | S1-02310745000     | CAP,SEAL,KNURLED 7/1                  | S1-02310745000  | 1                | 1                | 1                | 1                | 1               |
| 3       | 940     | S1-02818913000     | GASKET,DRAIN PAN                      | S1-02818913000  | 2                | 2                | 2                | 2                | 2               |
| 3       | 1106    | S1-02131419000     | WASHER,TXV                            | S1-02131419000  | 1                | 1                | 1                | 1                | 1               |
| 3       | 1108    | S1-1TVMBA1         | KIT,TXV,R-410A,3/4 INCH CHATLEFF CONN | S1-1TVMBA1      | 1                | 1                | 1                | 1                | 1               |

Suggested stocking items are shown with shaded item number.



**Section : INDOOR BLOWER PARTS**

| Section | Callout | Replacement Part # | Description                              | Original Part # | JHETB18 BBAS2N 1 | JHETB18 BBAS2N 1 | JHETB24 CBAS2N 1 | JHETB24 CBAS2N 1 | JHETB30 DBAS2N 1 |
|---------|---------|--------------------|--|-----------------|------------------|------------------|------------------|------------------|------------------|
| 4       | 305     | S1-32442185001     | MTR,BLW,PRGRM,1/3,230V,EC M,BROAD OCEAN  | S1-32442185001  | 1                | 1                |                  |                  |                  |
| 4       | 305     | S1-32442185002     | MTR,BLW,PRGRM,1/3,230V,EC M,BROAD OCEAN  | S1-32442185002  |                  |                  | 1                | 1                |                  |
| 4       | 305     | S1-32442186001     | MTR,BLW,PRGRM,1/2,230V,EC M,BROAD OCEAN  | S1-32442186001  |                  |                  |                  |                  | 1                |
| 4       | 305A    | S1-02442185000     | MTR,BLW,UNPRGRM,1/3,230V,ECM,BROAD OCEAN | S1-02442185000  | 1                | 1                | 1                | 1                |                  |
| 4       | 305A    | S1-02442186000     | MTR,BLW,UNPRGRM,1/2,230V,ECM,BROAD OCEAN | S1-02442186000  |                  |                  |                  |                  | 1                |
| 4       | 306     | S1-02650615000     | WHL,BLW,11-8                             | S1-02650615000  | 1                | 1                | 1                | 1                | 1                |
| 4       | 307     | S1-32650612001     | MOUNT,ASSEMBLY,BLWR MOTOR                | S1-32650612001  | 1                | 1                | 1                | 1                | 1                |
| 4       | 311     | S1-02108968000     | NUT,HEX,SELF LOCKING,1/4-20              | S1-02108968000  | 1                | 1                | 1                | 1                | 1                |
| 4       | 313     | S1-37348827001     | HOUSING,BLOWER,11-8,AHU/MOD              | S1-37348827001  | 1                | 1                | 1                | 1                | 1                |

| Section | Callout | Replacement Part # | Description                             | Original Part # | JHETB30 DBAS2N 1 | JHETB36 DBAS2N 1 | JHETB36 DBAS2N 1 | JHETC36 DBAS2N 1 | JHETC42 FBAS2N1 |
|---------|---------|--------------------|---|-----------------|------------------|------------------|------------------|------------------|-----------------|
| 4       | 305     | S1-32442186001     | MTR,BLW,PRGRM,1/2,230V,EC M,BROAD OCEAN | S1-32442186001  | 1                |                  |                  |                  |                 |
| 4       | 305     | S1-32442186002     | MTR,BLW,PRGRM,1/2,230V,EC M,BROAD OCEAN | S1-32442186002  |                  | 1                | 1                |                  |                 |
| 4       | 305     | S1-32442186003     | MTR,BLW,PRGRM,1/2,230V,EC M,BROAD OCEAN | S1-32442186003  |                  |                  |                  | 1                |                 |

|   |      |                |  |                        |   |   |   |   |   |
|---|------|----------------|--|------------------------|---|---|---|---|---|
| 4 | 305  | S1-32442186004 | MTR,BLW,PRGRM,1/2,230V,EC<br>M,BROAD OCEAN   | S1-<br>32442186<br>004 |   |   |   |   | 1 |
| 4 | 305A | S1-02442186000 | MTR,BLW,UNPRGRM,1/2,230V,<br>ECM,BROAD OCEAN | S1-<br>02442186<br>000 | 1 | 1 | 1 | 1 | 1 |
| 4 | 306  | S1-02619654012 | WHL,BLW,11 X 10,CW,1/2 BORE                  | S1-<br>02619654<br>012 |   |   |   | 1 | 1 |
| 4 | 306  | S1-02619654012 | WHL,BLW,11 X 10,CW,1/2 BORE                  | S1-<br>02634501<br>000 |   |   |   | 1 | 1 |
| 4 | 306  | S1-02650615000 | WHL,BLW,11-8                                 | S1-<br>02650615<br>000 | 1 | 1 | 1 |   |   |
| 4 | 307  | S1-32650612001 | MOUNT,ASSEMBLY,BLWR<br>MOTOR                 | S1-<br>32650612<br>001 | 1 | 1 | 1 | 1 | 1 |
| 4 | 311  | S1-02108968000 | NUT,HEX,SELF LOCKING,1/4-20                  | S1-<br>02108968<br>000 | 1 | 1 | 1 | 1 | 1 |
| 4 | 313  | S1-37348827001 | HOUSING,BLOWER,11-<br>8,AHU/MOD              | S1-<br>37348827<br>001 | 1 | 1 | 1 |   |   |
| 4 | 313  | S1-37348828001 | HOUSING,BLOWER,11-<br>10,AHU/MOD             | S1-<br>37348828<br>001 |   |   |   | 1 | 1 |

Suggested stocking items are shown with shaded item number.



## Section : MISCELLANEOUS

| Section | Callout | Replacement Part # | Description                               | Original Part # | JHETB18<br>BBAS2N<br>1 | JHETB18<br>BBAS2N<br>1 | JHETB24<br>CBAS2N<br>1 | JHETB24<br>CBAS2N<br>1 | JHETB30<br>DBAS2N<br>1 |
|---------|---------|--------------------|---|-----------------|------------------------|------------------------|------------------------|------------------------|------------------------|
| 8       | NS      | S1-02527642000     | CABLE STRAP,BLACK                         | S1-02509607000  | 1                      | 1                      | 1                      | 1                      | 1                      |
| 8       | NS      | S1-02816484001     | BADGING,YORK,ID,ML (M24)                  | S1-02816484001  | 1                      | 1                      | 1                      | 1                      | 1                      |
| 8       | NS      | S1-02816486000     | BADGING,LUXAIRE,ID,ML (M24)               | S1-02816486000  | 1                      | 1                      | 1                      | 1                      | 1                      |
| 8       | NS      | S1-02816487000     | BADGING,FRASER-<br>JOHNSTON,ID,ML (M24)   | S1-02816487000  | 1                      | 1                      | 1                      | 1                      | 1                      |
| 8       | NS      | S1-02816491000     | BADGING,REVOLVE,OD,ML<br>(M24)            | S1-02816491000  | 1                      | 1                      | 1                      | 1                      | 1                      |
| 8       | NS      | S1-02817573000     | BADGE,CHAMPION,ID,RECESS<br>ED MAIN (M24) | S1-02817108000  | 1                      | 1                      | 1                      | 1                      | 1                      |
| 8       | NS      | S1-02818409000     | BADGING,COLEMAN,ID,ML<br>(M24)            | S1-02818409000  | 1                      | 1                      | 1                      | 1                      | 1                      |

| Section | Callout | Replacement Part # | Description                               | Original Part # | JHETB30<br>DBAS2N<br>1 | JHETB36<br>DBAS2N<br>1 | JHETB36<br>DBAS2N<br>1 | JHETC36<br>DBAS2N<br>1 | JHETC42<br>FBAS2N1 |
|---------|---------|--------------------|---|-----------------|------------------------|------------------------|------------------------|------------------------|--------------------|
| 8       | NS      | S1-02527642000     | CABLE STRAP,BLACK                         | S1-02509607000  | 1                      | 1                      | 1                      |                        |                    |
| 8       | NS      | S1-02816484001     | BADGING,YORK,ID,ML (M24)                  | S1-02816484001  | 1                      | 1                      | 1                      |                        |                    |
| 8       | NS      | S1-02816486000     | BADGING,LUXAIRE,ID,ML (M24)               | S1-02816486000  | 1                      | 1                      | 1                      |                        |                    |
| 8       | NS      | S1-02816487000     | BADGING,FRASER-<br>JOHNSTON,ID,ML (M24)   | S1-02816487000  | 1                      | 1                      | 1                      |                        |                    |
| 8       | NS      | S1-02816491000     | BADGING,REVOLVE,OD,ML<br>(M24)            | S1-02816491000  | 1                      | 1                      | 1                      |                        |                    |
| 8       | NS      | S1-02817573000     | BADGE,CHAMPION,ID,RECESS<br>ED MAIN (M24) | S1-02817108000  | 1                      | 1                      | 1                      |                        |                    |
| 8       | NS      | S1-02818409000     | BADGING,COLEMAN,ID,ML<br>(M24)            | S1-02818409000  | 1                      | 1                      | 1                      |                        |                    |

Suggested stocking items are shown with shaded item number.

## Section : WIRING DIAGRAMS / VFD PARAMETERS

| Section | Callout | Replacement Part # | Description                           | Original Part # | JHETB18<br>BBAS2N<br>1 | JHETB18<br>BBAS2N<br>1 | JHETB24<br>CBAS2N<br>1 | JHETB24<br>CBAS2N<br>1 | JHETB30<br>DBAS2N<br>1 |
|---------|---------|--------------------|---------------------------------------|-----------------|------------------------|------------------------|------------------------|------------------------|------------------------|
| 9       | 9       | 6113166            | WIRING DIAGRAM - 5.5 X 8.5<br>STD ECM | 6113166         | 1                      | 1                      | 1                      | 1                      | 1                      |

| Section | Callout | Replacement Part # | Description                           | Original Part # | JHETB30<br>DBAS2N<br>1 | JHETB36<br>DBAS2N<br>1 | JHETB36<br>DBAS2N<br>1 | JHETC36<br>DBAS2N<br>1 | JHETC42<br>FBAS2N1 |
|---------|---------|--------------------|---------------------------------------|-----------------|------------------------|------------------------|------------------------|------------------------|--------------------|
| 9       | 9       | 6113166            | WIRING DIAGRAM - 5.5 X 8.5<br>STD ECM | 6113166         | 1                      | 1                      | 1                      | 1                      | 1                  |

Suggested stocking items are shown with shaded item number.

## Section : HARNESES

| Section | Callout | Replacement Part # | Description                  | Original Part #        | JHETB18<br>BBAS2N<br>1 | JHETB18<br>BBAS2N<br>1 | JHETB24<br>CBAS2N<br>1 | JHETB24<br>CBAS2N<br>1 | JHETB30<br>DBAS2N<br>1 |
|---------|---------|--------------------|------------------------------|------------------------|------------------------|------------------------|------------------------|------------------------|------------------------|
| 10      | 406     | S1-02552099000     | HARNESS,JHET/JMET,ECM<br>STD | S1-<br>02552099<br>000 | 1                      | 1                      | 1                      | 1                      | 1                      |

| Section | Callout | Replacement Part # | Description                  | Original Part #        | JHETB30<br>DBAS2N<br>1 | JHETB36<br>DBAS2N<br>1 | JHETB36<br>DBAS2N<br>1 | JHETC36<br>DBAS2N<br>1 | JHETC42<br>FBAS2N1 |
|---------|---------|--------------------|------------------------------|------------------------|------------------------|------------------------|------------------------|------------------------|--------------------|
| 10      | 406     | S1-02552099000     | HARNESS,JHET/JMET,ECM<br>STD | S1-<br>02552099<br>000 | 1                      | 1                      | 1                      | 1                      | 1                  |

Suggested stocking items are shown with shaded item number.

Model series repair parts lists are generated for each model number from the last production bill of material.

Major components and suggested stocking items are shown with shaded item number.

Repair parts lists are subject to change without notice.

TO ORDER AUTHORIZED FACTORY REPLACEMENT PARTS - Contact your Source1 HVAC Parts Distributor or visit our website at [www.Source1Parts.com](http://www.Source1Parts.com) for a Distributor and Dealer listing.

Copyright © 2024 by Johnson Controls Inc. All rights reserved.

Johnson Controls Unitary Products